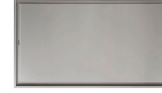


**Ceiling unit
Pureline Compact 90 cm
Stainless steel**



EAN 5414425215430

Energy label

▪ Energy Efficiency class (EEIhood)	B
▪ Annual Energy Consumption (kWh/year) (AEChood)	45,4
▪ Fluid Dynamic Efficiency class (FDEhood)	B
▪ Lighting Efficiency class (LEhood)	-
▪ Grease Filtering Efficiency class (GFEhood)	D

Functions & features

▪ Motor	Integrated
▪ Sound absorber	Integrated
▪ Recirculation	Optional
▪ InTouch function	Standard
▪ Auto stop	▪
▪ Delayed switch off (minutes)	10
▪ Grease filter	6830020
▪ Number of grease filters	2
▪ Grease filter cleaning indication	▪
▪ Recirculation filter cleaning indication	▪
▪ Control method	Push buttons + Remote control
▪ Number of speeds	3 + power
▪ Automatic Power revert (minutes)	6

Dimensions

▪ Product dimensions (WxDxH) (mm)	868 x 508 x 195
▪ Height incl. mounting clamps (without motorbox) (mm)	133
▪ Width flange (mm)	15
▪ Dimensions cut-out opening (WxD) (mm)	845 x 485
▪ Advised mounting height induction hobs (Hmin-Hmax) (mm)	600 - 1600
▪ Advised mounting height gas hobs (Hmin-Hmax) (mm)	650 - 1600
▪ Advised mounting height ceramic hobs (Hmin-Hmax) (mm)	600 - 1600
▪ Diameter outlet (mm)	222x89
▪ Position exhaust	Right, Left, Front, Back

Lighting

▪ Functional light dimmable	-
▪ Soft-ON/OFF	-

Airflow and noise level

▪ Free airflow (m³/h)	750
▪ Airflow (m³/h) measured according to EN 61591	
▪ Sound regulation according to DIN 45635-2	
▪ Airflow duct out speed 1 (m³/h) / Max pressure duct out speed 1 (Pa)	218 / 38
▪ Airflow duct out speed 2 (m³/h) / Max pressure duct out speed 2 (Pa)	400 / 128

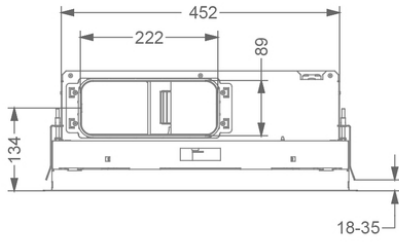
Airflow and noise level

- Airflow duct out speed 3 (m³/h) / Max pressure duct out speed 3 (Pa) 541 / 250
- Airflow duct out max powerspeed (m³/h) (Qboost) / Max pressure duct out max powerspeed (Pa) 626 / 413
- Sound pressure duct out speed 1 (dB(A)) / Sound power duct out speed 1 (dB(A)) 27 / 38
- Sound pressure duct out speed 2 (dB(A)) / Sound power duct out speed 2 (dB(A)) 40 / 52
- Sound pressure duct out speed 3 (dB(A)) / Sound power duct out speed 3 (dB(A)) 47 / 59
- Sound pressure duct out at max powerspeed (dB(A)) / Sound power duct out at max powerspeed (dB(A)) (LWAboost) 51 / 63

Technical specifications

- | | |
|---|------|
| ▪ Maximum power (W) | 159 |
| ▪ Voltage cooker hood (V) | 230 |
| ▪ Frequency (Hz) | 50 |
| ▪ Power consumption in stand-by-mode (Ps) (W) | 0.35 |
| ▪ Net weight (kg) | 21 |
| ▪ Length power supply cable (m) | 1,2 |

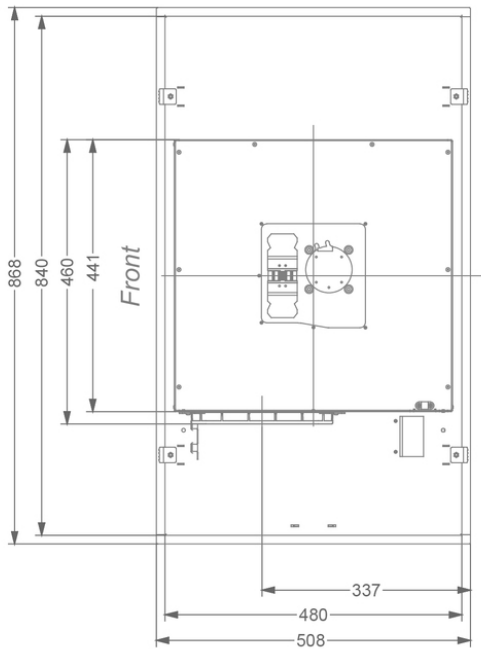
1



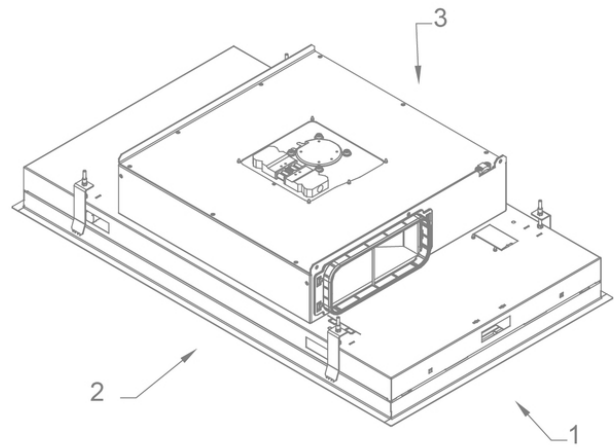
2



3



4



Accessories

Recirculation box

841400

recirculation box with monoblock white (270x500mm)



842400

recirculation box with monoblock black (270x500mm)



843400

recirculation box with monoblock grey (270x500mm)

Control kit

990030

Control kit for external lighting or valve

